



Chemtec Energy Services  
11745 Cude Cemetery Road  
Willis, Texas 77318

LACT SKID  
ELECTRICAL DRAWINGS



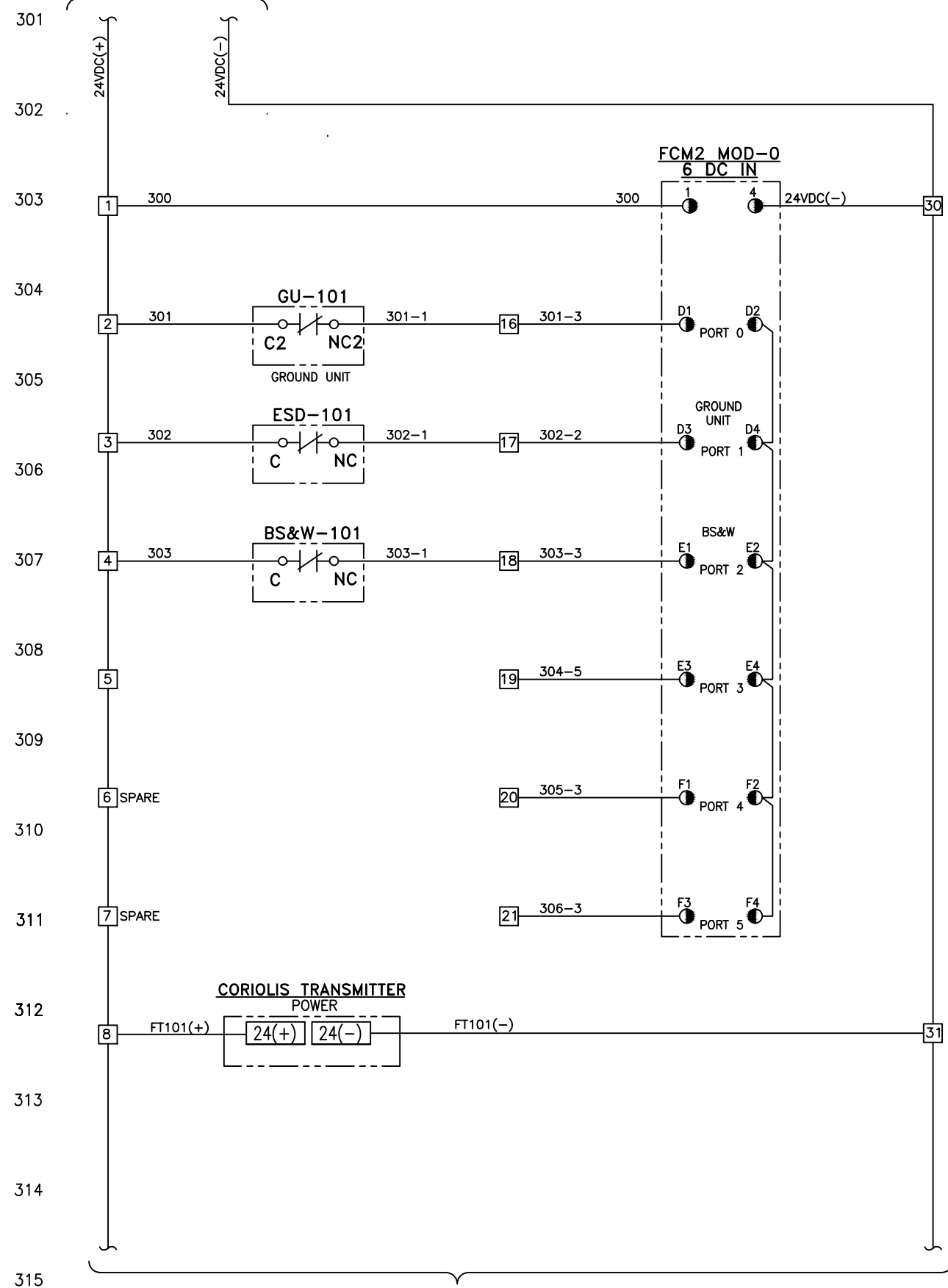
SCULCON  
JUNCTION BOX  
scully

460 VOLTS

SEHTRY


BRUCE P. MURDOCK, INC.  
BALTIMORE, MARYLAND  
800-700

FOR CONTINUATION  
SEE DRWG E-001



CONTINUED TO SHEET:  
D-118152-E-004

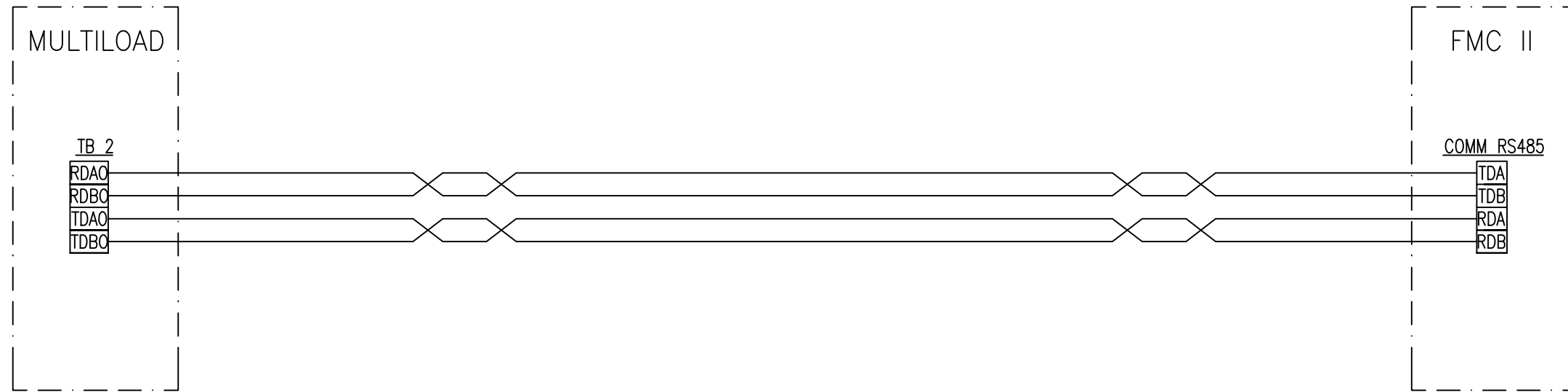
REVISIONS



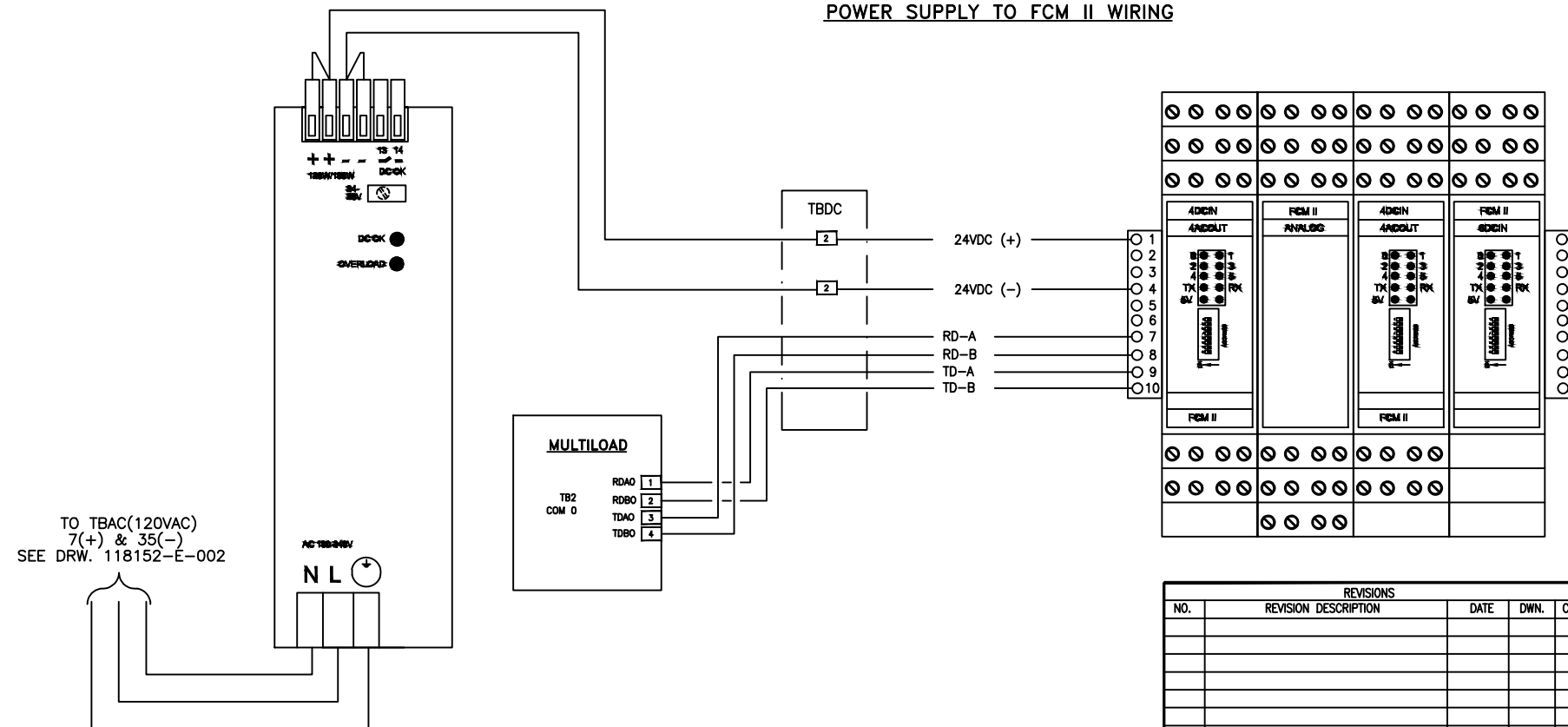
**Chemtec Energy Services, Inc.**  
11745 Cude Cemetery Road  
Willis, Texas 77318

SCALE		APPROVALS	
DRAWN BY RBV	DATE 06-20-12		
CHECK BY			
4" OFFLOAD LACT SKID ELECTRIAL SCHEMATIC			
SIZE	DRAWING NUMBER	REV	
	D-118152-E-E003	1	

COMMUNICATION WIRING



POWER SUPPLY TO FCM II WIRING



REVISIONS				
NO.	REVISION DESCRIPTION	DATE	DWN.	CHK.

**Chemtec**  
 Chemtec Energy Services, Inc.  
 11745 Cude Cemetery Road  
 Willis, Texas 77318

SCALE		APPROVALS	
DRAWN BY GB	DATE 5/10/12		
CHECK BY			
LACT SKID COMMUNICATION DIAGRAM			
SIZE	DRAWING NUMBER 118152-E-007	REV	1